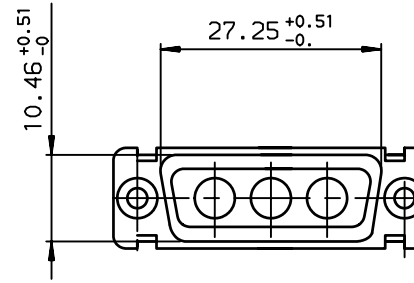
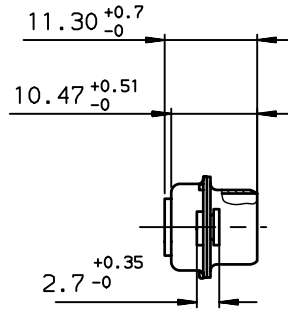
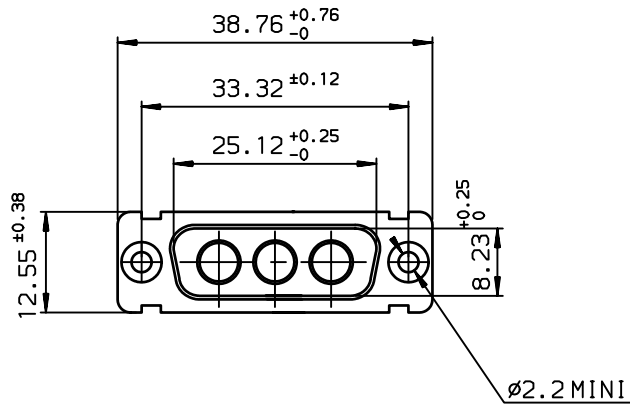
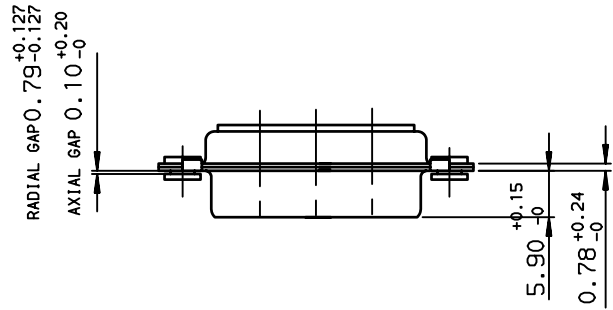


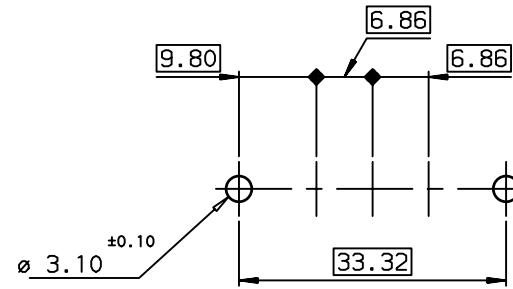
A



B



PC card drilling dimensions ( thickness:1.60)



C

TIN LEAD PART NUMBER

Part Number : DAMF3W3PN

LEAD FREE PART NUMBER

Part Number : DAMF3W3PNLF

GENERAL CHARACTERISTICS AND ROHS INFORMATIONS:  
SEE DRAWING C01-8639-0003

European Views

www.fciconnect.com		surface ISO 1302 ✓	tolerance std ISO 406 ISO 1101	projection mm
		TOLERANCES UNLESS OTHERWISE SPECIFIED		mm
Dr	JARRY	2002/04/03	0.X ±0.1	size A3
Eng	PESSON	2002/04/03	0.XX ±0.1	Scale 1.5
Chr	LEGARE	2002/04/03	0.XX' ±2'	ECN LS06-0089
Appr	LEGARE	2002/04/03	0.XXX ±0.1	Spec ref -
Product family			D-SUB	
		<b>PIN CONNECTOR FOR</b> POWERS CONTACTS		Rev. C C01-8639-1954
catalog no		-		CUSTOMER sheet 1 of 1

rev	ecn no	dr	date
A	-	JAR	2002/04/03
B	LS05-003	MPE	2005/03/28
C	LS06-0089	MPE	2006/06/15
-	-	-	-
-	-	-	-
-	-	-	-

Copyright FCI.

D